



Small Footprint Big Cutting Capacity

1000mm Y Axis Travel

FOCUS SEIKI CORP

No.11, Lane 181, Da Ming Road,
Shengang Dist., Taichung City,
42949 Taiwan

Tel: +886-4-2529-5611

Fax: +886-4-2529-5613

E-mail: sales@focaseiki.com.tw

focaseiki@gmail.com

www.focaseiki.com.tw

Vertical Machining Center

VMC 860 | 1160

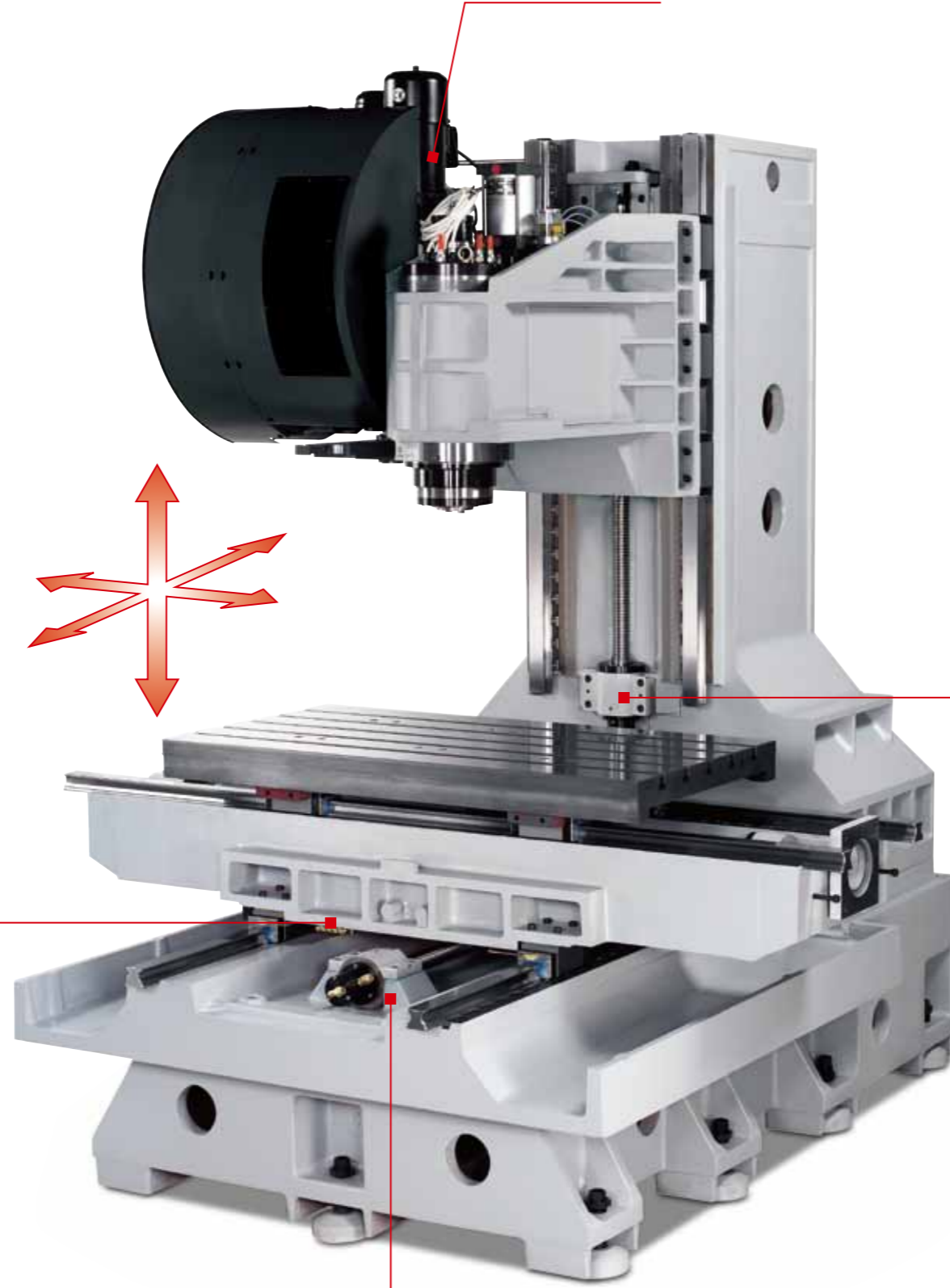
- XYZ Rapid Traverse 30/30/24 m/min (Option 36/36/30 m/min)
- HQ-Container Ocean Packing (Lowest Shipping Fee)
- Direct Type Spindle Motor Cooling Device

Reservoir
Bottle For A.T.C.

3 Axis High Rigidity Design

Reservoir-Type
Lubricator Bronze
Tube Oil Circuit

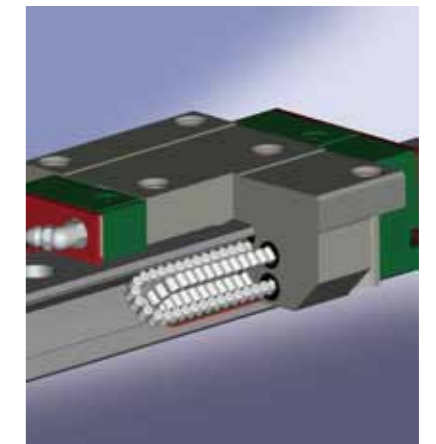
3 Axes Adopted Roller Type
Linear Guideways



Heavier Loading & Higher Precision

Roller Type Linear Guideways on X/Y/Z Axis

XYZ Axes Equipped with
7 Angular Ball Bearings to
Reduce Thermal
Deformation Impacts



VMC 1100 | 1250(1350) | 1400(1500)

- 3 Axis Rapid Traverse 24 m/min, Option 30/30/24 m/min
- HQ-Container Packing (Lower Shipping Cost)
- Reservoir-Type Lubricator Bronze Tube Oil Circuit
- Direct Type Spindle Motor Cooling Device

Independent Pneumatic Reservoir For ATC

Option ISO-50, ZF Gear Box



Increased Precision & Stability

4 Roller Linear Guideways on Y Axis

Y Axis Travel 700mm
For Large Workpiece
Machining Options

Special Design For Y Axis
Four Tracks & Roller Type
Linear Guide

700mm

- Low Speed High Torque Wide Range Spindle Motor
- Z Axis Used Servo Motor Brake System & Two Cylinders For Counter Balance For High Performance
- 2000 Models Use NSK Roller Type Slide Blocks On Y Axis For Increased Machine Stability & Precision
- Movable Control Panel For Easy Operation, Workpiece / Tool Adjustment

Large Diameter \varnothing 63 mm C3 Ball Screw on X/Y/Z Axes

Spindle Transmission Options, Belt Type, Direct Type, Gear Type

X/Y/Z Axes Use Heavy Loading 55mm 6 x 8 x 6 Slide Blocks & Cross Roller Type Linear Guideways Delivers High Performance During 3 Axis Movement

Faster Cycle Times

X/Y/Z Axes Rapid Traverse 24/24/20 m/min

Extra Large Y Axis Travel 1000 mm For Large Workpiece Machining Options

1000mm

Material: NAK 80

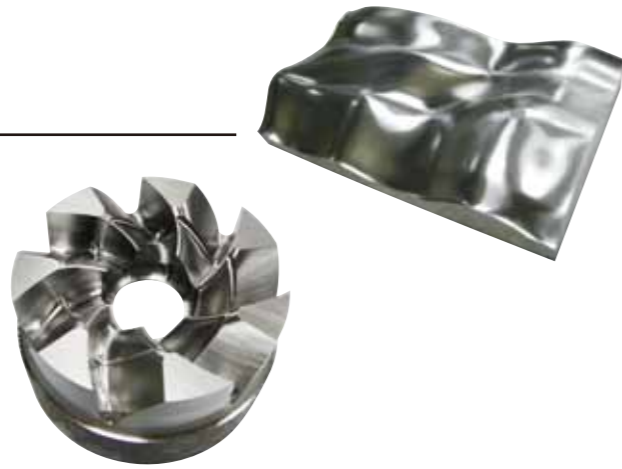
Machining Program: Fan Mold

Tool: $\phi 10R2$, $\phi 3R3$, $\phi 4R3$

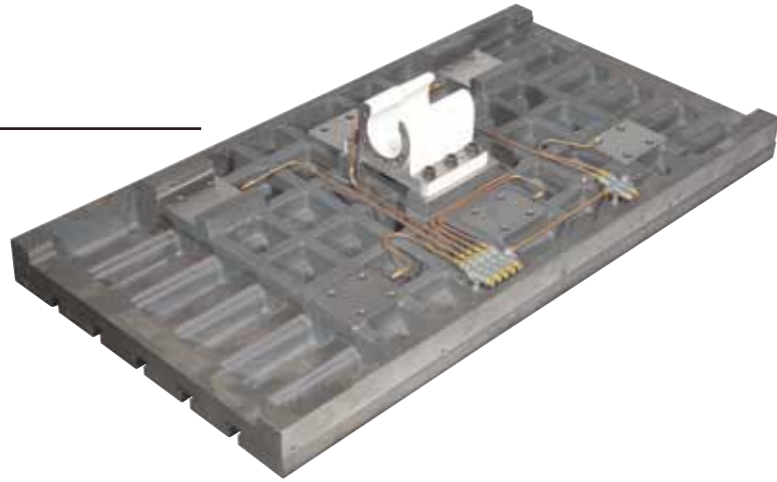
RPM: 4800, 9000, 15000

mm/min: F3000, F3000, F2500

Machining Time: 32, 38, 70 min



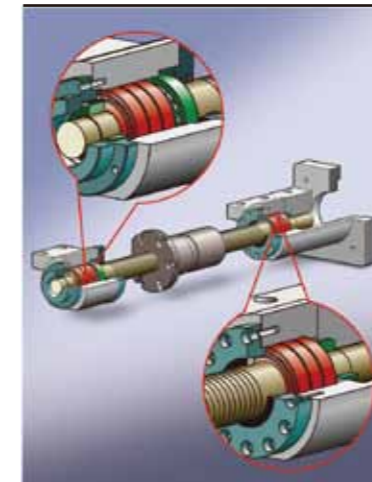
Reservoir Type Lubricator
Bronze Tube Oil Circuit



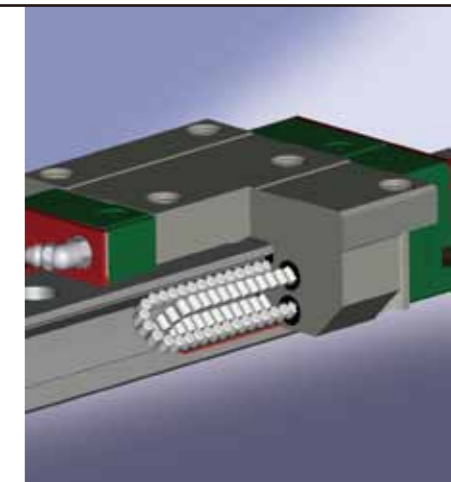
4 Way Swiveling Control Box



Direct Type Spindle Motor
Cooling Device

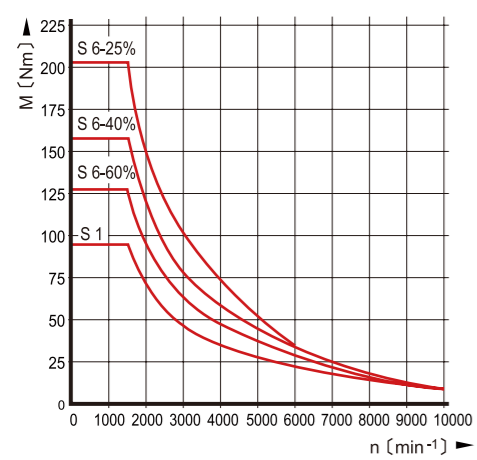


Enhanced Screw
Pretension Design

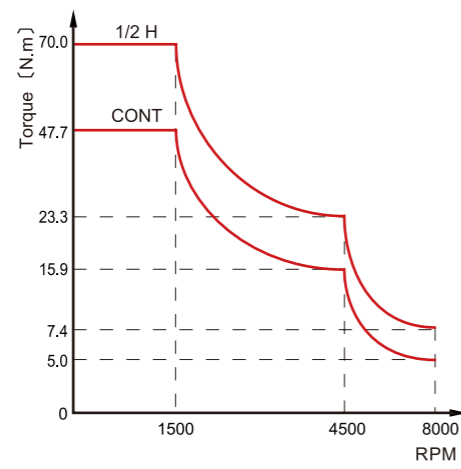


High Rigidity Roller Type Linear Guide

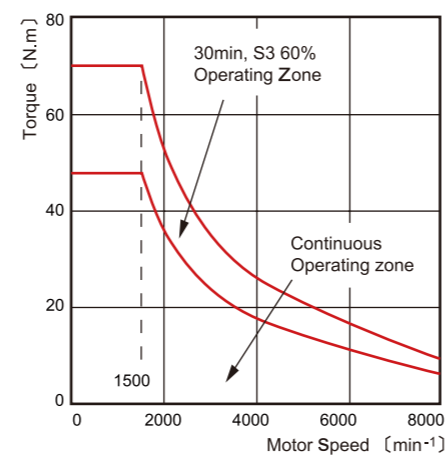
HEIDENHAIN QAN 260M Series
Torque Characteristic Curve



MISTUBISHI SJ-V11 Series

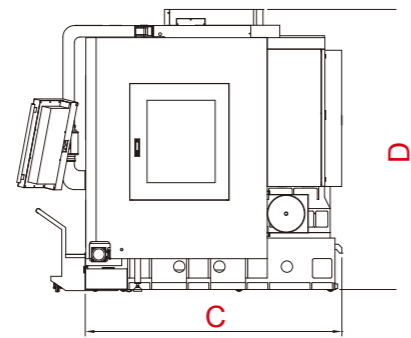
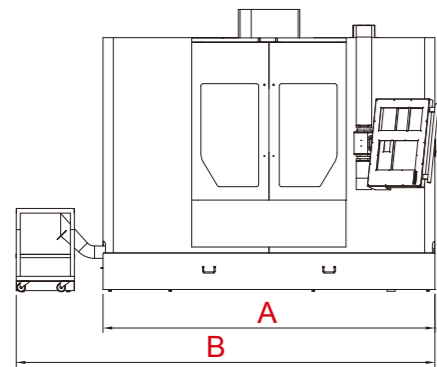
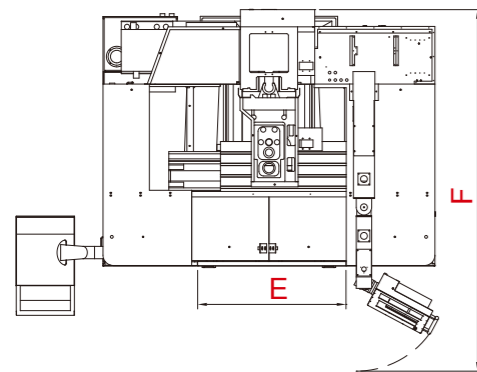


FANUC α Series



- Ball Bar Test
- Laser Calibration
- Spindle Dynamic Balance

VMC Series Specifications



Dimensions

	A	B	C	D	E	F
600	1900	2600	2600	Min 2300 Max 2800	760	3360
860	2200	2960	2650	Min 2250 Max 2850	900	3570
1100	2900	3660	2240	Min 2250 Max 2850	1100	3160
1160	2900	3660	2240	Min 2340 Max 2980	1100	3160
1250	3200	3960	2260	Min 2340 Max 2980	1300	3160
1400	3600	4360	2260	Min 2340 Max 2980	1500	3160
1600	3900	4600	3500	Min 2500 Max 3500	1700	4500
1800	4200	4900	3500	Min 2500 Max 3500	1900	4500
2000	4700	5400	3500	Min 2500 Max 3500	2100	4500

Standard Accessories:

- Arm Type Automatic Tool Changer (24 Tools)
- Fully Enclosed Guard
- Swiveling Control Box
- Work Light & Alarm Light
- Volumetric Type Automatic Lubricator
- Coolant & Chip Flushing System
- Auto Power Off
- Rigid Tapping
- Tool Box
- Leveling Screws & Blocks
- Operation Manual
- Mechanical Oil Coolant Separator
- Spindle Coolant Ring
- Chip Auger

Optional Accessories:

- Air Gun
- Coolant Gun
- Coolant Through Spindle (CTS)
- Transformer
- Chip Conveyor
- Linear Scale
- Auto Tool Length Measurement System
- Auto Workpiece Measurement System
- Air Conditioner

Table

Table Size	mm
Working Area	mm
T-Slot	mm
Max Table Loading Capacity	kgs

Travel

X/Y/Z Axis Travel	mm
Spindle Nose To Table Surface	mm

Spindle

Spindle Taper	
Spindle Speed	rpm
Transmission Method	
Spindle Motor	kw

ATC

Magazine Capacity	tools
Tool Selection Method	
Max Diameter / W / O Adjacent	mm
Max Tool Weight / Length	kgs/mm
Tool Shank Specification	
Tool Change Time	sec

3 Axis Traverse

3 Axis Cutting Feedrate	mm/min
3 Axis Rapid Traverse	m/min

Drive Motors

Chip Auger Motor	hp
Chip Conveyor Motor	hp
Coolant Pump Motor	hp
Chip Flushing Pump Motor	hp

Coolant Tank

Coolant Tank Capacity	ℓ
Coolant Flow	ℓ/min

Others

Machine Dimensions (L x W x H)	mm
Net Weight / Gross Weight	kgs

▪ Description in () are optional accessories

	600	860	1100	1160	1250 (1350)	1400 (1500)	1600	1800	2000
Table Size	650 x 500	910 x 560	1100 x 560	1160 x 600	1350 x 600	1500 x 600	1700 x 1000	1900 x 1000	2100 x 1000
Working Area	610 x 500	860 x 600	1100 x 600	1100 x 600	1250 x 700	1400 x 700	1600 x 1000	1800 x 1000	2000 x 1000
T-Slot	18 x 5 x 100	18 x 5 x 100	18 x 5 x 100	18 x 5 x 100	18 x 5 x 100	18 x 5 x 100	18 x 7 x 125	18 x 7 x 125	18 x 7 x 125
Max Table Loading Capacity	300	800	900	1000	1200	1500	2200	2500	3000
X/Y/Z Axis Travel	610/500/500	860/600/600	1100/600/600	1100/600/600	1250 (1350)/700/600(640)	1400 (1500)/700/600(640)	1600/1000/800	1800/1000/800	2000/1000/800
Spindle Nose To Table Surface	90~590	120~720	120~720	120~720	120~720 (760)	120~720 (760)	200~1000	200~1000	200~1000
Spindle Taper	ISO-40	ISO-40 (ISO-50)					ISO-50 (ISO-40)		
Spindle Speed	10000 (12000, 15000)	8000 (10000, 12000, 15000)	(ISO50:6000,8000,10000)					6000 (8000, 10000)	(ISO40:8000,10000,12000,15000)
Transmission Method	Belt (Direct)	Belt (Direct, ZF Gearbox)					Belt (Gear, Direct, ZF Gearbox)		
Spindle Motor	5.5/7.5 (7.5/11)	7.5/11 (11/15, 15/18.5)					15/18.5 (18.5/22)		
Magazine Capacity	24 (30)	24 (30, 36) (ISO50: 20,24)		24 (30, 40) (ISO50: 20, 24)			24(32,40) (ISO40: 24,30)		
Tool Selection Method	Random	Random					Random		
Max Diameter / W / O Adjacent	ø75 / ø150	ø75 / ø150					ø110 / ø200		
Max Tool Weight / Length	6 / 300	7 / 300 (ISO50: 15/350)					15/350 (ISO40: 7/300)		
Tool Shank Specification	ISO-40	ISO-40 (ISO-50)					ISO-50 (ISO-40)		
Tool Change Time	T-T 2.3; C-C 4.5	T-T 2.3; C-C 4.5 (T-T 1.8; C-C 3.8)					T-T 3.5; C-C 7		
3 Axis Cutting Feedrate	10000	12000					10000		
3 Axis Rapid Traverse	36/36/36	30/30/24 (36/36/30, 48/48/36)			24 (30/30/24)		20/20/15 (24/24/20)		
Chip Auger Motor	1/2 1/4	1/2 1/4					1/2 1/4		
Chip Conveyor Motor	1/4	1/4					1/4		
Coolant Pump Motor	3/4	3/4					3/4		
Chip Flushing Pump Motor	1/2 (3/4)	1/2 (3/4)					1/2 (3/4)		
Coolant Tank Capacity	300	350	400	400	400	400	600	700	750
Coolant Flow	200	200	200	200	200	200	200	200	200
Machine Dimensions (L x W x H)	2600 x 3360 x 2800	2960 x 3570 x 2850	3660 x 3160 x 2850	3660 x 3160 x 2980	3960 x 3160 x 2980	4360 x 3160 x 2980	4600 x 4500 x 3500	4900 x 4500 x 3500	5400 x 4500 x 3500
Net Weight / Gross Weight	4300/4500	6000/6600	6400/6900	7300/7800	7400/7900	8100/8700	17000/20000	18000/21000	20000/23000

▪ We reserve the right to modify the design and specification without notice in advance. Above specifications are for reference only. Correct specifications are based on actual machine.